

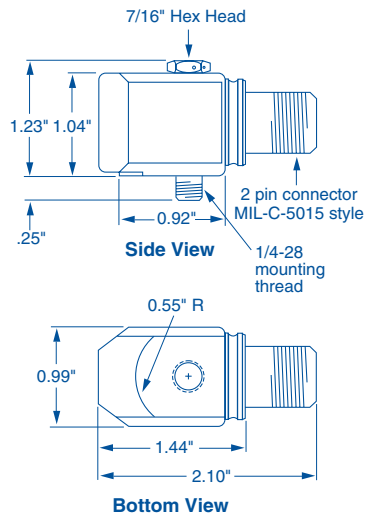


Model 787A

Standard, Side Exit, General Purpose Accelerometer

FEATURES

- Corrosion resistant
- Hermetic design
- Ground isolated
- ESD protection
- Reverse wiring protection
- Mounts in any orientation



DYNAMIC

Sensitivity, $\pm 10\%$, 25°C	100 mV/g
Acceleration Range	80 g peak
Amplitude Nonlinearity	1%
Frequency Response:	
$\pm 10\%$	1.0 - 5,000 Hz
± 3 dB	0.7 - 10,000 Hz
Resonance Frequency	22 kHz
Transverse Sensitivity, max	5% of axial
Temperature Response	-50°C -5%
	+120°C +5%

ELECTRICAL

Power Requirement:	voltage source	18 - 30 VDC
	current regulating diode	2 - 10 mA
Electrical Noise, equiv. g:		
Broadband	2.5 Hz to 25 kHz	700 μ g
Spectral	10 Hz	10 μ g/ \sqrt Hz
	100 Hz	5 μ g/ \sqrt Hz
	1000 Hz	5 μ g/ \sqrt Hz
Output Impedance, max		100 Ω
Bias Output Voltage		12 VDC
Grounding		case isolated, internally shielded

ENVIRONMENTAL

Temperature Range	-50 to 120°C
Vibration Limit	500 g
Shock Limit, min.	5,000 g
Electromagnetic Sensitivity, equiv. g, max	70 μ g/gauss
Sealing	Hermetic
Base Strain Sensitivity, max	0.002 g/ μ strain

PHYSICAL

Sensing Element Design	PZT ceramic / shear
Weight	145 grams
Case Material	316L stainless steel
Mounting	1/4 - 28 captive hex head screw with 0.046" diameter safety wire hole
Output Connector	2 pin, MIL-C-5015 style
Mating Connector	R6 type
Recommended Cabling	J10 / J9T2A

CONNECTOR PIN	FUNCTION
SHELL	ground
A	power/ signal
B	common

ACCESSORIES SUPPLIED: #80165-01 captive hex head screw; Calibration data (level 2).

