

Model 786A
General purpose accelerometer



- Features**
- Rugged design
 - Corrosion resistant
 - Hermetic seal
 - Case isolated
 - ESD protection
 - Reverse wiring protection

Dynamic

Sensitivity, ±5%, 25°C	100 mV/g
Acceleration range	80 g peak
Amplitude nonlinearity	1%
Frequency response:	
± 5%	3 - 5,000 Hz
± 10%	1 - 9,000 Hz
± 3 dB	0.5 - 14,000 Hz
Resonance frequency	30 kHz
Transverse sensitivity, max	5% of axial
Temperature response:	
-50°C	-5%
+120°C	+5%

Electrical

Power requirement:	voltage source	18 - 30 VDC
	current regulating diode	2 - 10 mA
Electrical noise, equiv g:		
Broadband 2.5 Hz to 25 kHz		700 µg
Spectral 10 Hz		10 µg/√Hz
	100 Hz	5 µg/√Hz
	1000 Hz	5 µg/√Hz
Output impedance, max		100 Ω
Bias output voltage		12 VDC
Grounding		case isolated, internally shielded

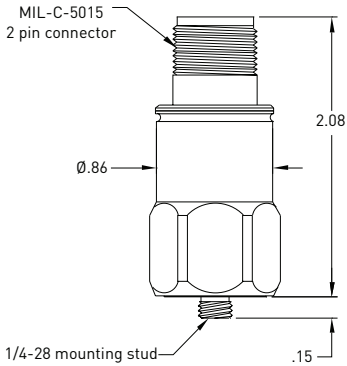
Environmental

Temperature range	-50 to 120°C
Vibration limit	500 g peak
Shock limit	5,000 g peak
Electromagnetic sensitivity, equiv g, max	70 µg/gauss
Sealing	hermetic
Base strain sensitivity, max	0.0002 g/µstrain

Physical

Sensing element design	PZT ceramic / shear
Weight	90 grams
Case material	316L stainless steel
Mounting	1/4 - 28 UNF tapped hole
Output connector	2 pin, MIL-C-5015 style
Mating connector	R6 type
Recommended cabling	J10 / J9T2A

Connector pin	Function
Shell	ground
A	power/ signal
B	common



Accessories supplied: SF6 mounting stud (International customers specify mounting requirements); calibration data (level 2)

Wilcoxon Research Inc
 20511 Seneca Meadows Parkway
 Germantown, MD 20876
 USA

Tel: 301 330 8811
 Fax: 301 330 8873
 Email: wilcoxon@meggitt.com

www.meggitt.com

MEGGITT
 smart engineering for
 extreme environments
 98692 Rev.A.3 12/07